

# Decorative Lavatory Drains

## Section Contents

Decorative Drains for Vessel, Glass, & Lavatory Sinks **223 - 229**

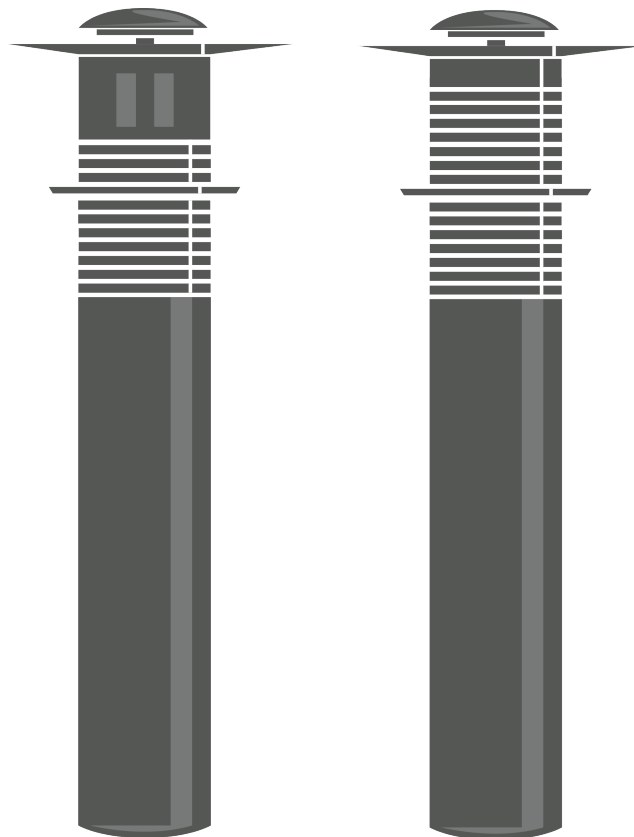
Lavatory Drain Parts **230 - 231**

## Fixture Planning Diagrams

Use the bath sink and pedestal sink fixture planning diagram to simplify your product selection and complete your design.

Bath Sink Fixture Planning Diagram **20**

Pedestal Sink Fixture Planning Diagram **21**





**20 Hole Brass Lavatory Grid Drain - 6" Tailpiece with Overflow**

**MT730-2**

A decorative, fully plated, 20-hole brass lavatory grid drain for sinks and vessels with overflow.

- Patented "Fast Flow Angle Top"
- No clogging or puddling of water
- Eliminates water spots
- Tailpiece measures 6" Long x 1-1/4" O.D.
- Drain Opening 1-1/2" diameter
- 2-1/2" Threaded Drain Body
- Comes With Overflow
- IAPMO (UPC) Approved

**Standard Finishes**

MT730-2/BRN	Brushed Nickel	<b>\$ 117</b>
MT730-2/CHBRZ	Champagne Bronze	<b>\$ 279</b>
MT730-2/CPB	Polished Chrome	<b>\$ 87</b>
MT730-2/MB	Matte Black	<b>\$ 237</b>
MT730-2/ORB	Oil Rubbed Bronze	<b>\$ 199</b>
MT730-2/PN	Polished Nickel	<b>\$ 117</b>
MT730-2/ULB	Unlacquered Brass	<b>\$ 87</b>
MT730-2/VB	Venetian Bronze	<b>\$ 199</b>

**Group 1 Finishes**

All Group 1 Finishes **\$ 237**

**Group 2 Finishes**

All Group 2 Finishes **\$ 279**



**20 Hole Brass Lavatory Grid Drain - 6" Tailpiece without Overflow**

**MT740-2**

A decorative, fully plated, 20-hole brass lavatory grid drain for sinks and vessels without overflow.

- Patented "Fast Flow Angle Top"
- No clogging or puddling of water
- Eliminates water spots
- Tailpiece measures 6" Long x 1-1/4" O.D.
- Drain Opening 1-1/2" diameter
- 2-1/2" Threaded Drain Body
- Comes Without Overflow
- IAPMO (UPC) Approved

**Standard Finishes**

MT740-2/BRN	Brushed Nickel	<b>\$ 117</b>
MT740-2/CHBRZ	Champagne Bronze	<b>\$ 279</b>
MT740-2/CPB	Polished Chrome	<b>\$ 87</b>
MT740-2/MB	Matte Black	<b>\$ 237</b>
MT740-2/ORB	Oil Rubbed Bronze	<b>\$ 199</b>
MT740-2/PN	Polished Nickel	<b>\$ 117</b>
MT740-2/ULB	Unlacquered Brass	<b>\$ 87</b>
MT740-2/VB	Venetian Bronze	<b>\$ 199</b>

**Group 1 Finishes**

All Group 1 Finishes **\$ 237**

**Group 2 Finishes**

All Group 2 Finishes **\$ 279**



### 20 Hole Brass Lavatory Grid Drain - 8" Tailpiece with Overflow

### 20 Hole Brass Lavatory Grid Drain - 8" Tailpiece without Overflow

#### MT734

A decorative, fully plated, 20-hole brass lavatory grid drain for sinks and vessels with overflow.

- Patented "Fast Flow Angle Top"
- No clogging or puddling of water
- Eliminates water spots
- Tailpiece measures 8" Long x 1-1/4" O.D.
- Drain Opening 1-1/2" diameter
- 2-1/2" Threaded Drain Body
- Comes With Overflow
- IAPMO (UPC) Approved

#### MT735

A decorative, fully plated, 20-hole brass lavatory grid drain for sinks and vessels without overflow.

- Patented "Fast Flow Angle Top"
- No clogging or puddling of water
- Eliminates water spots
- Tailpiece measures 8" Long x 1-1/4" O.D.
- Drain Opening 1-1/2" diameter
- 4" Threaded Drain Body
- Comes Without Overflow
- IAPMO (UPC) Approved

#### Standard Finishes

MT734/BRN	Brushed Nickel	<b>\$ 125</b>
MT734/CHBRZ	Champagne Bronze	<b>\$ 294</b>
MT734/CPB	Polished Chrome	<b>\$ 91</b>
MT734/MB	Matte Black	<b>\$ 246</b>
MT734/ORB	Oil Rubbed Bronze	<b>\$ 208</b>
MT734/PN	Polished Nickel	<b>\$ 125</b>
MT734/ULB	Unlacquered Brass	<b>\$ 91</b>
MT734/VB	Venetian Bronze	<b>\$ 208</b>

#### Group 1 Finishes

All Group 1 Finishes **\$ 246**

#### Group 2 Finishes

All Group 2 Finishes **\$ 294**

#### Standard Finishes

MT735/BRN	Brushed Nickel	<b>\$ 125</b>
MT735/CHBRZ	Champagne Bronze	<b>\$ 294</b>
MT735/CPB	Polished Chrome	<b>\$ 91</b>
MT735/MB	Matte Black	<b>\$ 246</b>
MT735/ORB	Oil Rubbed Bronze	<b>\$ 208</b>
MT735/PN	Polished Nickel	<b>\$ 125</b>
MT735/ULB	Unlacquered Brass	<b>\$ 91</b>
MT735/VB	Venetian Bronze	<b>\$ 208</b>

#### Group 1 Finishes

All Group 1 Finishes **\$ 246**

#### Group 2 Finishes

All Group 2 Finishes **\$ 294**



**Tear Drop Pattern Lavatory Grid Drain - with Overflow**

**MT749-3**

A teardrop pattern lavatory drain for sinks and vessels with overflow. Fully plated brass drain body and tailpiece.

- Tailpiece measures 8" Long x 1-1/4" O.D.
- Drain Opening 1-1/2" diameter
- 4" Threaded Drain Body
- Comes With Overflow

**Standard Finishes**

MT749-3/BRN	Brushed Nickel	<b>\$ 125</b>
MT749-3/CHBRZ	Champagne Bronze	<b>\$ 294</b>
MT749-3/CPB	Polished Chrome	<b>\$ 91</b>
MT749-3/MB	Matte Black	<b>\$ 246</b>
MT749-3/ORB	Oil Rubbed Bronze	<b>\$ 208</b>
MT749-3/PN	Polished Nickel	<b>\$ 125</b>
MT749-3/ULB	Unlacquered Brass	<b>\$ 91</b>
MT749-3/VB	Venetian Bronze	<b>\$ 208</b>

**Group 1 Finishes**

All Group 1 Finishes **\$ 246**

**Group 2 Finishes**

All Group 2 Finishes **\$ 294**

**Tear Drop Pattern Lavatory Grid Drain - without Overflow**

**MT749**

A teardrop pattern lavatory drain for sinks and vessels without overflow. Fully plated brass drain body and tailpiece.

- Tailpiece measures 8" Long x 1-1/4" O.D.
- Drain Opening 1-1/2" diameter
- 4" Threaded Drain Body
- Comes Without Overflow

**Standard Finishes**

MT749/BRN	Brushed Nickel	<b>\$ 125</b>
MT749/CHBRZ	Champagne Bronze	<b>\$ 294</b>
MT749/CPB	Polished Chrome	<b>\$ 91</b>
MT749/MB	Matte Black	<b>\$ 246</b>
MT749/ORB	Oil Rubbed Bronze	<b>\$ 208</b>
MT749/PN	Polished Nickel	<b>\$ 125</b>
MT749/ULB	Unlacquered Brass	<b>\$ 91</b>
MT749/VB	Venetian Bronze	<b>\$ 208</b>

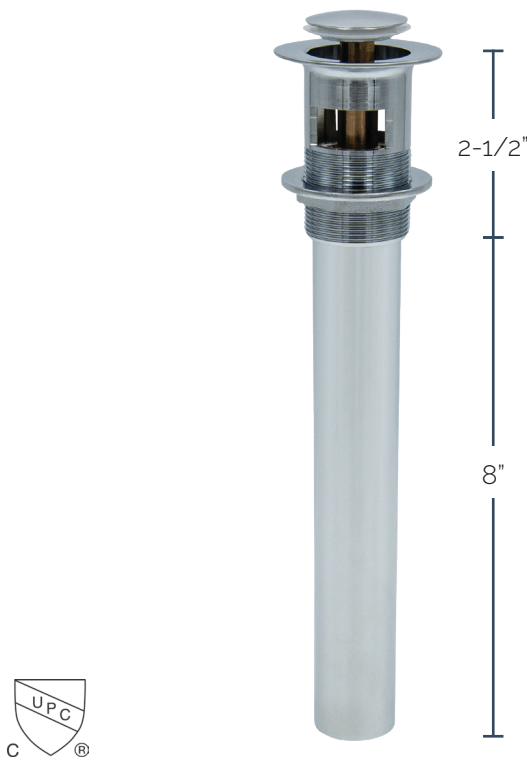
**Group 1 Finishes**

All Group 1 Finishes **\$ 246**

**Group 2 Finishes**

All Group 2 Finishes **\$ 294**

**Notes:**

### EZ-CLICK™ Soft Touch Round Lavatory Drain - with Overflow

#### MT741

A soft touch lavatory drain for sinks and vessels with overflow. Fully plated brass drain body and tailpiece. Features EZ-Click™ round pop-up drain mechanism.

- Tailpiece measures 8" Long x 1-1/4" O.D.
- Drain Opening 1-1/2" diameter
- 2-1/2" Drain Body
- Comes With Overflow

#### Standard Finishes

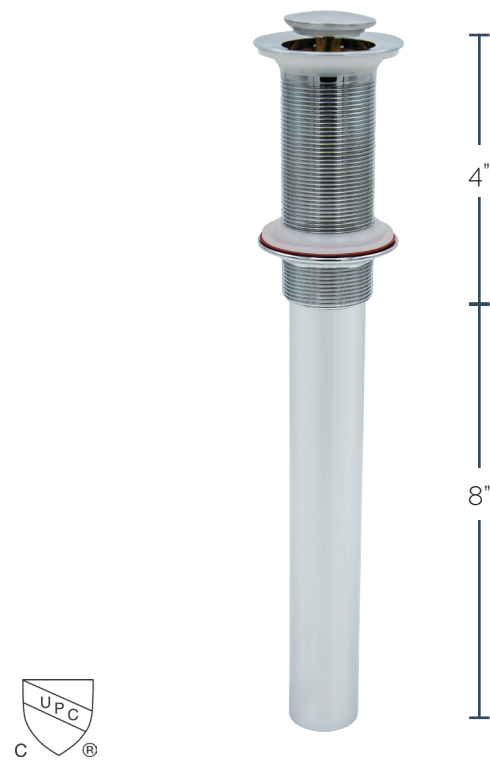
MT741/BRN	Brushed Nickel	\$ 130
MT741/CHBRZ	Champagne Bronze	\$ 308
MT741/CPB	Polished Chrome	\$ 98
MT741/MB	Matte Black	\$ 260
MT741/ORB	Oil Rubbed Bronze	\$ 218
MT741/PN	Polished Nickel	\$ 130
MT741/ULB	Unlacquered Brass	\$ 98
MT741/VB	Venetian Bronze	\$ 218

#### Group 1 Finishes

All Group 1 Finishes \$ 260

#### Group 2 Finishes

All Group 2 Finishes \$ 308



### EZ-CLICK™ Soft Touch Round Lavatory Drain - without Overflow

#### MT742

A soft touch lavatory drain for sinks and vessels without overflow. Fully plated brass drain body and tailpiece. Features EZ-Click™ round pop-up drain mechanism.

- Tailpiece measures 8" Long x 1-1/4" O.D.
- Drain Opening 1-1/2" diameter
- 4" Drain Body
- Comes Without Overflow

#### Standard Finishes

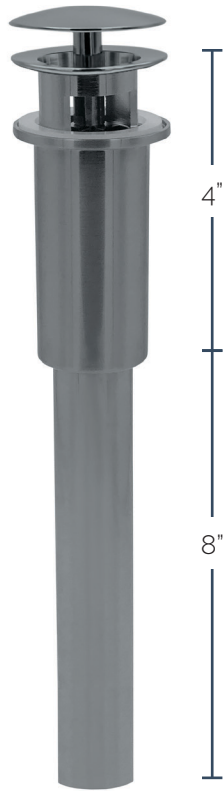
MT742/BRN	Brushed Nickel	\$ 130
MT742/CHBRZ	Champagne Bronze	\$ 308
MT742/CPB	Polished Chrome	\$ 98
MT742/MB	Matte Black	\$ 260
MT742/ORB	Oil Rubbed Bronze	\$ 218
MT742/PN	Polished Nickel	\$ 130
MT742/ULB	Unlacquered Brass	\$ 98
MT742/VB	Venetian Bronze	\$ 218

#### Group 1 Finishes

All Group 1 Finishes \$ 260

#### Group 2 Finishes

All Group 2 Finishes \$ 308



**Dome Style Round Lavatory Drain - with Overflow & Stationary Dome**

**MT744-3**

Dome style lavatory drain for sinks and vessels with overflow. Fully plated brass drain body and tailpiece. Features a stationary round dome.

- Tailpiece measures 8" Long x 1-1/4" O.D.
- Drain Opening 1-1/2" diameter
- 4" Drain Body
- Max Sink 2-1/4" Thick
- With Overflow
- Does Not Seal Water

**Standard Finishes**

MT744-3/BRN	Brushed Nickel	<b>\$ 243</b>
MT744-3/CHBRZ	Champagne Bronze	<b>\$ 454</b>
MT744-3/CPB	Polished Chrome	<b>\$ 203</b>
MT744-3/MB	Matte Black	<b>\$ 325</b>
MT744-3/ORB	Oil Rubbed Bronze	<b>\$ 266</b>
MT744-3/PN	Polished Nickel	<b>\$ 243</b>
MT744-3/ULB	Unlacquered Brass	<b>\$ 203</b>
MT744-3/VB	Venetian Bronze	<b>\$ 266</b>

**Group 1 Finishes**

All Group 1 Finishes **\$ 325**

**Group 2 Finishes**

All Group 2 Finishes **\$ 454**



**Dome Style Round Lavatory Drain - without Overflow & Stationary Dome**

**MT744-2**

Dome style lavatory drain for sinks and vessels without overflow. Fully plated brass drain body and tailpiece. Features a stationary round dome.

- Tailpiece measures 8" Long x 1-1/4" O.D.
- Drain Opening 1-1/2" diameter
- 4" Drain Body
- Max Sink 2-1/4" Thick
- Without Overflow
- Does Not Seal Water

**Standard Finishes**

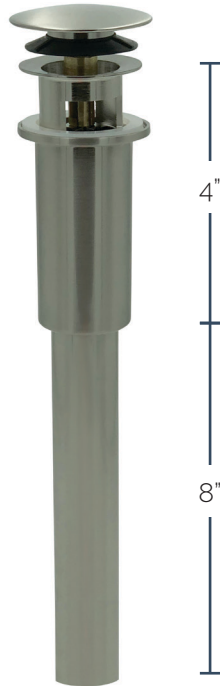
MT744-2/BRN	Brushed Nickel	<b>\$ 243</b>
MT744-2/CHBRZ	Champagne Bronze	<b>\$ 454</b>
MT744-2/CPB	Polished Chrome	<b>\$ 203</b>
MT744-2/MB	Matte Black	<b>\$ 325</b>
MT744-2/ORB	Oil Rubbed Bronze	<b>\$ 266</b>
MT744-2/PN	Polished Nickel	<b>\$ 243</b>
MT744-2/ULB	Unlacquered Brass	<b>\$ 203</b>
MT744-2/VB	Venetian Bronze	<b>\$ 266</b>

**Group 1 Finishes**

All Group 1 Finishes **\$ 325**

**Group 2 Finishes**

All Group 2 Finishes **\$ 454**



**Dome Style Round Lavatory Drain - with Overflow & EZ-CLICK™ Soft Touch Dome**

**MT745-3**

Dome style, soft touch lavatory drain for sinks and vessels with overflow. Fully plated brass drain body and tailpiece. Features EZ-Click™ round dome pop-up drain mechanism.

- Tailpiece measures 8" Long x 1-1/4" O.D.
- Drain Opening 1-1/2" diameter
- 4" Drain Body
- Max Sink 2-1/4" Thick
- With Overflow
- Seals Water

**Standard Finishes**

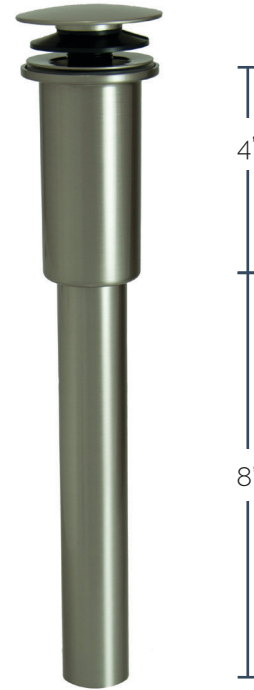
MT745-3/BRN	Brushed Nickel	<b>\$ 243</b>
MT745-3/CHBRZ	Champagne Bronze	<b>\$ 454</b>
MT745-3/CPB	Polished Chrome	<b>\$ 203</b>
MT745-3/MB	Matte Black	<b>\$ 325</b>
MT745-3/ORB	Oil Rubbed Bronze	<b>\$ 266</b>
MT745-3/PN	Polished Nickel	<b>\$ 243</b>
MT745-3/ULB	Unlacquered Brass	<b>\$ 203</b>
MT745-3/VB	Venetian Bronze	<b>\$ 266</b>

**Group 1 Finishes**

All Group 1 Finishes **\$ 325**

**Group 2 Finishes**

All Group 2 Finishes **\$ 454**



**Dome Style Round Lavatory Drain - without Overflow & EZ-CLICK™ Soft Touch Dome**

**MT745-2**

Dome style, soft touch lavatory drain for sinks and vessels without overflow. Fully plated brass drain body and tailpiece. Features EZ-Click™ round dome pop-up drain mechanism.

- Tailpiece measures 8" Long x 1-1/4" O.D.
- Drain Opening 1-1/2" diameter
- 4" Drain Body
- Max Sink 2-1/4" Thick
- Without Overflow
- Seals Water

**Standard Finishes**

MT745-2/BRN	Brushed Nickel	<b>\$ 243</b>
MT745-2/CHBRZ	Champagne Bronze	<b>\$ 454</b>
MT745-2/CPB	Polished Chrome	<b>\$ 203</b>
MT745-2/MB	Matte Black	<b>\$ 325</b>
MT745-2/ORB	Oil Rubbed Bronze	<b>\$ 266</b>
MT745-2/PN	Polished Nickel	<b>\$ 243</b>
MT745-2/ULB	Unlacquered Brass	<b>\$ 203</b>
MT745-2/VB	Venetian Bronze	<b>\$ 266</b>

**Group 1 Finishes**

All Group 1 Finishes **\$ 325**

**Group 2 Finishes**

All Group 2 Finishes **\$ 454**



**Finger Touch Lavatory Drain - with Overflow**

**MT743-3**

A finger touch lavatory drain for sinks and vessels with overflow. Fully plated brass drain body and tailpiece. Features round flip drain that opens and closes.

- Tailpiece measures 8" Long x 1-1/4" O.D.
- Drain Opening 1-1/2" diameter
- 4" Threaded Drain Body
- Comes With Overflow

**Standard Finishes**

MT743-3/BRN	Brushed Nickel	<b>\$ 193</b>
MT743-3/CHBRZ	Champagne Bronze	<b>\$ 319</b>
MT743-3/CPB	Polished Chrome	<b>\$ 184</b>
MT743-3/MB	Matte Black	<b>\$ 265</b>
MT743-3/ORB	Oil Rubbed Bronze	<b>\$ 230</b>
MT743-3/PN	Polished Nickel	<b>\$ 193</b>
MT743-3/ULB	Unlacquered Brass	<b>\$ 184</b>
MT743-3/VB	Venetian Bronze	<b>\$ 230</b>

**Group 1 Finishes**

All Group 1 Finishes **\$ 265**

**Group 2 Finishes**

All Group 2 Finishes **\$ 319**



**Finger Touch Lavatory - without Overflow**

**MT743**

A finger touch lavatory drain for sinks and vessels without overflow. Fully plated brass drain body and tailpiece. Features round flip drain that opens and closes.

- Tailpiece measures 8" Long x 1-1/4" O.D.
- Drain Opening 1-1/2" diameter
- 4" Threaded Drain Body
- Comes Without Overflow

**Standard Finishes**

MT743/BRN	Brushed Nickel	<b>\$ 193</b>
MT743/CHBRZ	Champagne Bronze	<b>\$ 319</b>
MT743/CPB	Polished Chrome	<b>\$ 184</b>
MT743/MB	Matte Black	<b>\$ 265</b>
MT743/ORB	Oil Rubbed Bronze	<b>\$ 230</b>
MT743/PN	Polished Nickel	<b>\$ 193</b>
MT743/ULB	Unlacquered Brass	<b>\$ 184</b>
MT743/VB	Venetian Bronze	<b>\$ 230</b>

**Group 1 Finishes**

All Group 1 Finishes **\$ 265**

**Group 2 Finishes**

All Group 2 Finishes **\$ 319**





## 12" Lavatory Drain Tailpiece - Threaded on Both Ends

### MT326TP

A 1-1/4" x 12" tailpiece threaded on both ends. Replacement for shorter tailpieces on most manufacturer's lavatory drains with a threaded tailpiece. May be cut to appropriate size.

- 17 Gauge Tailpiece
- 1-1/4" - 27 Threads on both ends



#### Standard Finishes

MT326TP/BRN	Brushed Nickel	<b>\$ 117</b>
MT326TP/CHBRZ	Champagne Bronze	<b>\$ 189</b>
MT326TP/CPB	Polished Chrome	<b>\$ 85</b>
MT326TP/MB	Matte Black	<b>\$ 136</b>
MT326TP/ORB	Oil Rubbed Bronze	<b>\$ 129</b>
MT326TP/PN	Polished Nickel	<b>\$ 117</b>
MT326TP/ULB	Unlacquered Brass	<b>\$ 85</b>
MT326TP/VB	Venetian Bronze	<b>\$ 129</b>

#### Group 1 Finishes

All Group 1 Finishes **\$ 136**

#### Group 2 Finishes

All Group 2 Finishes **\$ 189**

## Solid Brass Spacer with Washer for Glass Sinks

### MTDISC

Spacer disk for use with vessels for countertop installation.

- 2-3/4" O.D. X 1-3/4" I.D. X 5/8" High
- 1-3/4" hole required in glass sink

#### Standard Finishes

MTDISC/BRN	Brushed Nickel	<b>\$ 121</b>
MTDISC/CHBRZ	Champagne Bronze	<b>\$ 181</b>
MTDISC/CPB	Polished Chrome	<b>\$ 118</b>
MTDISC/MB	Matte Black	<b>\$ 147</b>
MTDISC/ORB	Oil Rubbed Bronze	<b>\$ 129</b>
MTDISC/PN	Polished Nickel	<b>\$ 121</b>
MTDISC/ULB	Unlacquered Brass	<b>\$ 118</b>
MTDISC/VB	Venetian Bronze	<b>\$ 129</b>

#### Group 1 Finishes

All Group 1 Finishes **\$ 147**

#### Group 2 Finishes

All Group 2 Finishes **\$ 181**





### Slip Joint Tailpiece Extension Tube for Lavatory Drains

**MT328SJ**

A 1-1/4" x 8", 17 gauge Slip Joint Tailpiece Extension Tube for standard P-Traps.

- Compatible with all Mountain Plumbing lavatory drains.
- Also compatible with most other manufacturer's lavatory drains.

**Standard Finishes**

MT328SJ/BRN	Brushed Nickel	<b>\$ 91</b>
MT328SJ/CHBRZ	Champagne Bronze	<b>\$ 193</b>
MT328SJ/CPB	Polished Chrome	<b>\$ 75</b>
MT328SJ/MB	Matte Black	<b>\$ 137</b>
MT328SJ/ORB	Oil Rubbed Bronze	<b>\$ 117</b>
MT328SJ/PN	Polished Nickel	<b>\$ 91</b>
MT328SJ/ULB	Unlacquered Brass	<b>\$ 75</b>
MT328SJ/VB	Venetian Bronze	<b>\$ 117</b>

**Group 1 Finishes**

All Group 1 Finishes **\$ 137**

**Group 2 Finishes**

All Group 2 Finishes **\$ 193**



### European Slip Joint Tailpiece Extension Tube for Lavatory Drains

**MT329ESJ**

Our European Slip Joint Tailpiece Extension Tube for Lavatory Drains is designed to adapt euro-style lavatory drains to connect to 1-1/4" P-Traps.

- Comes with 1-1/4" BSP thread
- Tailpiece measures 4-3/4"

**Standard Finishes**

MT329ESJ/BRN	Brushed Nickel	<b>\$ 87</b>
MT329ESJ/CHBRZ	Champagne Bronze	<b>\$ 163</b>
MT329ESJ/CPB	Polished Chrome	<b>\$ 75</b>
MT329ESJ/MB	Matte Black	<b>\$ 116</b>
MT329ESJ/ORB	Oil Rubbed Bronze	<b>\$ 97</b>
MT329ESJ/PN	Polished Nickel	<b>\$ 87</b>
MT329ESJ/ULB	Unlacquered Brass	<b>\$ 75</b>
MT329ESJ/VB	Venetian Bronze	<b>\$ 97</b>

**Group 1 Finishes**

All Group 1 Finishes **\$ 116**

**Group 2 Finishes**

All Group 2 Finishes **\$ 163**

**Notes:**
