

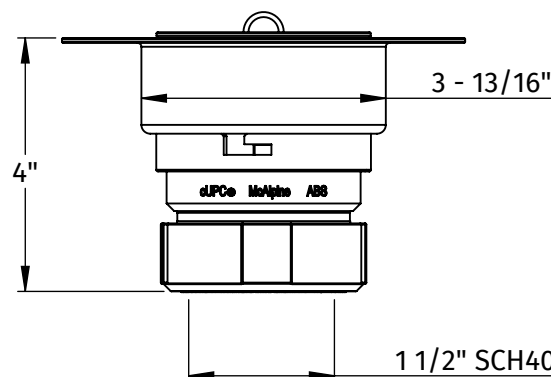
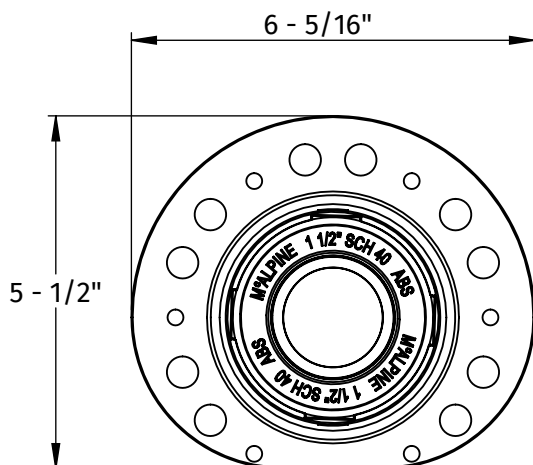
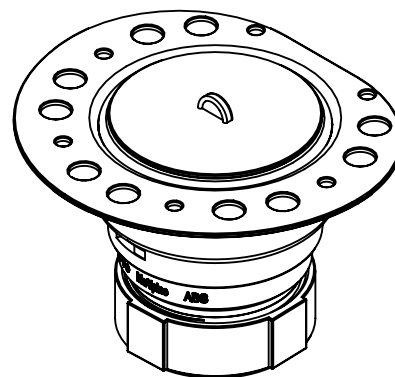
# BDWOF-DSROUGH

**ROUGH-IN FOR FREE-  
STANDING TUBS, FOR USE  
WITH BDWOF-DSTRIM**



## SPECIFICATION SHEET

- SIMPLIFIES INSTALLATION OF FREE-STANDING TUBS WITH INTEGRAL OVERFLOW
- FOR USE WITH BDWOF-DSTRIM ONLY
- CAN BE INSTALLED IN WOOD SUBFLOOR OR CONCRETE SLAB
- ASYMMETRIC MOUNTING PLATE ALLOWS FOR FLEXIBILITY WHEN INSTALLING IN CONSTRAINED SPACES
- ALLOWS FOR DRAIN TO BE REMOVED WITHOUT REMOVING THE TUB
- INCLUDES 1 - 1/2" SOCKET ADAPTERS FOR BOTH PVC AND ABS SCH40 PIPE
- INCLUDES DUST COVER
- NOT FOR USE WITH LIQUID APPLIED OR SHEET MEMBRANES
- MUST BE INSTALLED IN A DRY AREA WITH NO POTENTIAL OF WATER CONTACT



### **WARRANTY**

FOR WARRANTY INFO PLEASE VISIT [WWW.MOUNTAINPLUMBING.COM/WARRANTY-CLAIMS](http://WWW.MOUNTAINPLUMBING.COM/WARRANTY-CLAIMS)

### **FINISH CARE & MAINTENANCE**

NEVER USE ANY HARSH ALKALI, ACID BASED DETERGENTS OR CLEANERS SUCH AS SOFT SCRUB®, SCRUBBING BUBBLES® OR COMET® TO CLEAN. DO NOT USE BRILLO® OR SCOTCH BRITE® PADS. THESE WILL ALL HARM THE FINISH. TO CLEAN, USE ONLY A DAMP SOFT CLOTH AND WIPE GENTLY. STANDARD WINDEX® CAN ALSO BE USED SPARINGLY. IT IS NOT NECESSARY TO WIPE HARD TO REMOVE SPOTS. TO MAINTAIN THE FINISH, WIPE WITH A SOFT DRY CLOTH AFTER USE. AN OCCASIONAL COAT OF PURE CARNAUBA WAX WITHOUT CLEANERS WILL HELP PROTECT THE FINISH.

SPECIFICATIONS SUBJECT TO CHANGE WITHOUT NOTICE