

Mountain
PLUMBING PRODUCTS

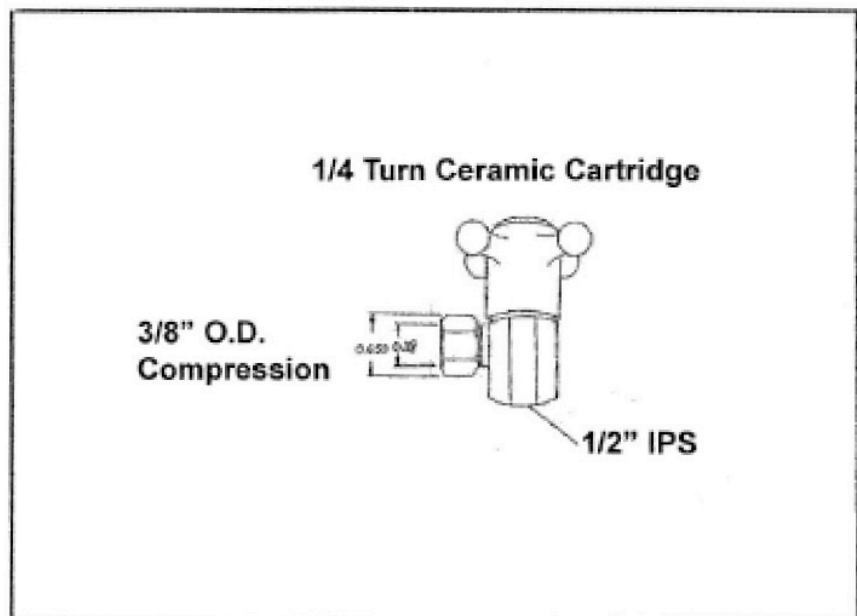
MT4001X

Angle Valve

INSTALLATION DIMENSIONS

This model offers you the following features & benefits:

- Traditional cross handle styling.
- Available in over 20 finishes
- 1/4 Turn ceramic cartridge.
- Brass construction



Warranty

*ALL MOUNTAIN PRODUCTS CARRY A 1 YEAR WARRANTY ON ALL WORKING PARTS.(except disposers)

*MOST SPECIAL FINISHES HAVE A 1 YEAR WARRANTY IF INSTRUCTIONS ARE FOLLOWED PROPERLY. ORB, EB, MHB, WCP, AND TB HAVE A 90 DAY WARRANTY IF INSTRUCTIONS ARE FOLLOWED PROPERLY.

*ALL PVD FINISHES COME WITH A LIFETIME WARRANTY IF INSTRUCTIONS ARE FOLLOWED PROPERLY

*ALL XENYO COLORED PRODUCTS HAVE A LIFETIME WARRANTY

*USE OF PLUMBERS PUTTY ON PRODUCTS VOIDS WARRANTY

Specifications subject to change without notice.

© Mountain Plumbing Products

www.mountainplumbing.com

• Call Toll-Free 1.888.222.9140

Form MPP MT4001X 2006