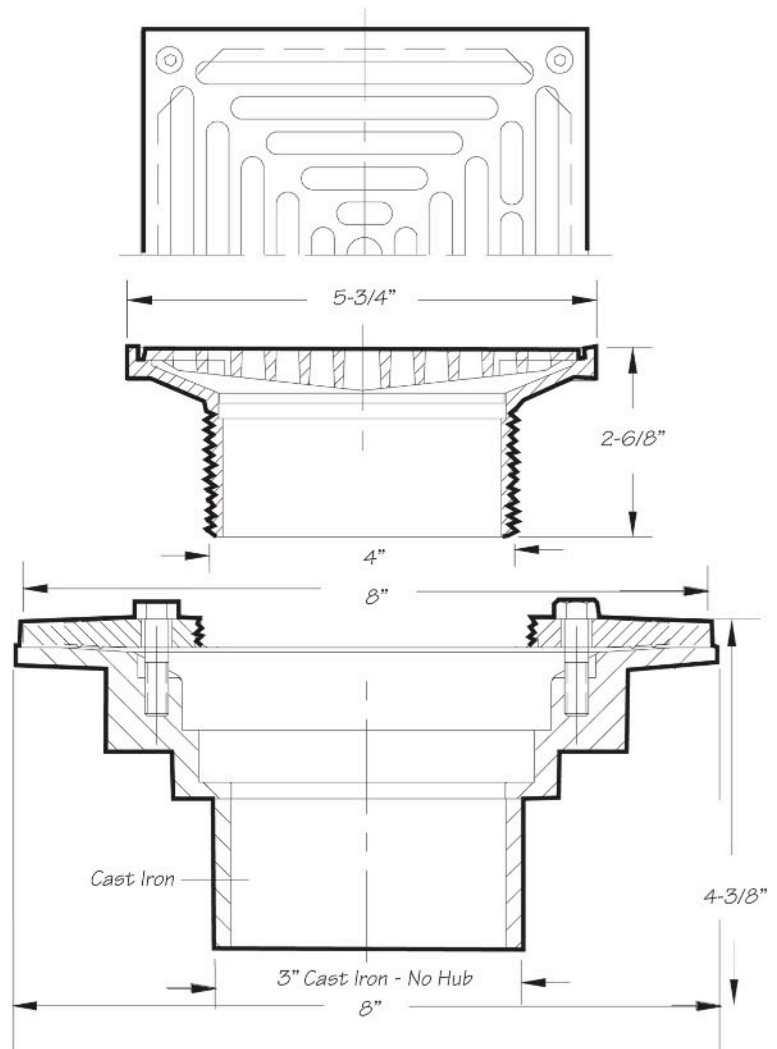


INSTALLATION DIMENSIONS

This model offers you the following features & benefits:

- 4" Square Nickel-Brass Drain w/Cast Iron body
- Fits 3" Cast Iron Pipe
- Adjustable height
- For tile applications
- Available in 8 finishes
 - CPB - Polished Chrome
 - PN - Polished Nickel
 - TB - Tuscan Brass
 - EB - English Bronze
 - BRN - Brushed Nickel
 - ORB - Oil Rubbed Bronze
 - PVDBB - PVD Brushed Bronze
 - VB - Venetian Bronze



Warranty

*ALL MOUNTAIN PRODUCTS CARRY A 1 YEAR WARRANTY ON ALL WORKING PARTS. (except disposers)

*MOST SPECIAL FINISHES HAVE A 1 YEAR WARRANTY IF INSTRUCTIONS ARE FOLLOWED PROPERLY. ORB, EB, MHB, WCP, AND TB HAVE A 90 DAY WARRANTY IF INSTRUCTIONS ARE FOLLOWED PROPERLY.

*ALL PVD FINISHES COME WITH A LIFETIME WARRANTY IF INSTRUCTIONS ARE FOLLOWED PROPERLY

*ALL XENYO COLORED PRODUCTS HAVE A LIFETIME WARRANTY

*USE OF PLUMBERS PUTTY ON PRODUCTS VOIDS WARRANTY

Specifications subject to change without notice.