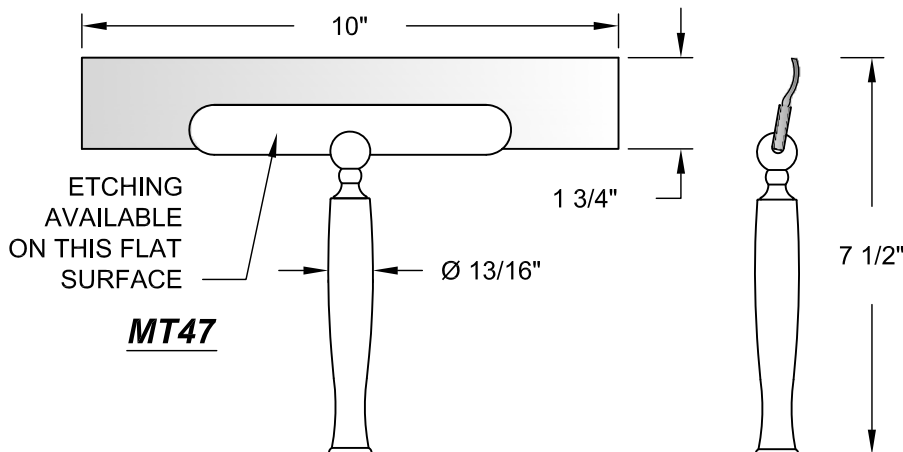
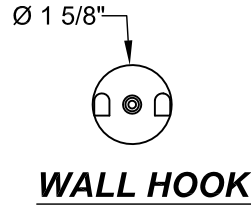
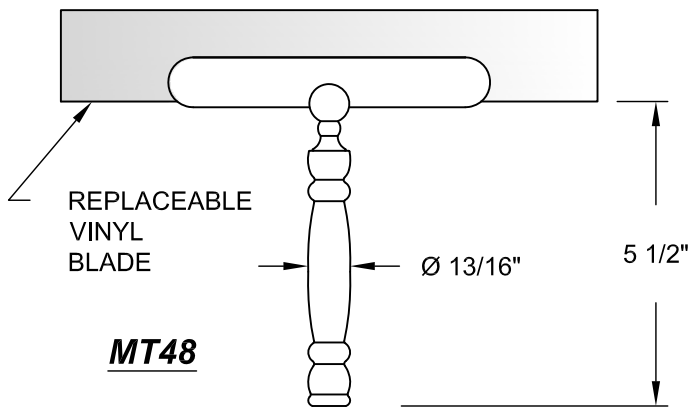


MT47 & MT48 SQUEEGEE SPECIFICATIONS



PLEASE NOTE : DIMENSIONS ARE IDENTICAL FOR BOTH MODELS

THIS SQUEEGEE OFFERS THE FOLLOWING FEATURES:

- PATENTED (602,666 & 603,116)
- SOLID BRASS CONSTRUCTION
- SUPPLIED WITH WALL HOOK AND MOUNTING HARDWARE
- BLADE ANGLED FOR BETTER CLEANING
- REPLACEABLE BLADE PART NO. MTSQUG
- PERSONALIZED ETCHING AVAILABLE ON ULB, CPB, BRN, PN AND PEW

AVAILABLE IN THE FOLLOWING FINISHES:

- ULB - Unlacquered Brass
- CPB - Polished Chrome
- BRN - Brushed Nickel
- PN - Polished Nickel
- AB - Antique Brass
- MHB - Mahogany Bronze
- ORB - Oil Rubbed Bronze
- PEW - Pewter
- VB - Venetian Bronze
- TB - Tuscan Brass
- EB - English Bronze
- CPB - Polished Chrome

WARRANTY

ONE YEAR WARRANTY ON PLATED FINISHES, 90 DAY WARRANTY ON ORB, EB, MHB, TB AND WCP PROVIDED PROPER CARE HAS BEEN USED. ONE YEAR WARRANTY ON ALL PARTS. WARRANTY APPLIES TO ORIGINAL PURCHASER AND CLAIMS REQUIRE PROOF OF PURCHASE.

FINISH CARE & MAINTENANCE

NEVER USE ANY HARSH ALKALI, ACID BASED DETERGENTS OR CLEANERS ON THE SQUEEGEE. TO MAINTAIN THE FINISH, WIPE WITH A SOFT DRY CLOTH AFTER USE. AN OCCASIONAL COAT OF PURE CARNUBA WAX WITHOUT CLEANERS WILL HELP PROTECT THE FINISH.