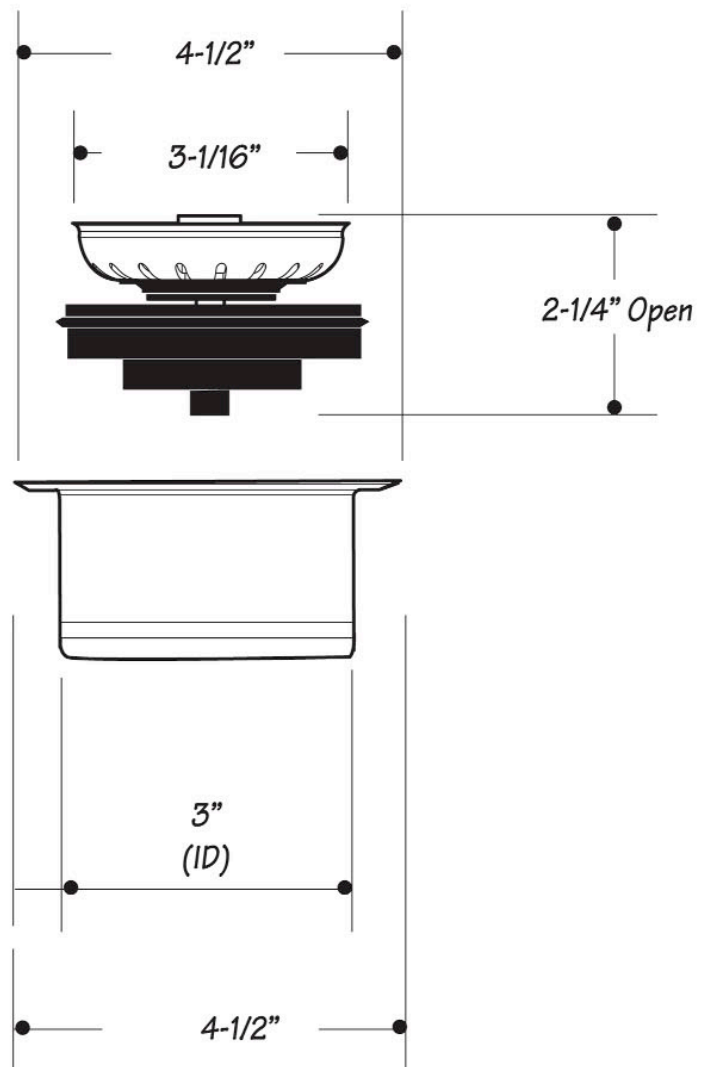
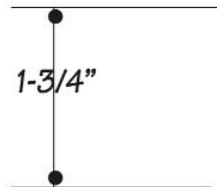


INSTALLATION DIMENSIONS

This model offers you the following features & benefits:

- Spring loaded center post for smooth strainer operation
- For Mountain "Perfect Grind®", Franke®, Waste King® (select models) and Whirlaway® with 3-bolt mounting flange
- For use with continuous feed models only
- Available in 18 finishes
 - PS - Polished Stainless
 - BRS - Brushed Stainless
 - CPB - Polished Chrome
 - SC - Satin Chrome
 - PN - Polished Nickel
 - BRN - Brushed Nickel
 - PEW - Pewter
 - AB - Antique Brass
 - PVD - Polished Brass
 - WCP - Weathered Copper
 - ACP - Antique Copper
 - PCP - Polished Copper
 - ORB - Oil Rubbed Bronze
 - VB - Venetian Bronze*
 - PVDDB - Brushed Bronze
 - TB - Tuscan Brass
 - EB - English Bronze
 - FG - French Gold



Warranty

- *ALL MOUNTAIN PRODUCTS CARRY A 1 YEAR WARRANTY ON ALL WORKING PARTS.(except disposers)
- *MOST SPECIAL FINISHES HAVE A 1 YEAR WARRANTY IF INSTRUCTIONS ARE FOLLOWED PROPERLY. ORB, EB, MHB, WCP, AND TB HAVE A 90 DAY WARRANTY IF INSTRUCTIONS ARE FOLLOWED PROPERLY.
- *ALL PVD FINISHES COME WITH A LIFETIME WARRANTY IF INSTRUCTIONS ARE FOLLOWED PROPERLY
- *ALL XENYO COLORED PRODUCTS HAVE A LIFETIME WARRANTY
- *USE OF PLUMBERS PUTTY ON PRODUCTS VOIDS WARRANTY

Specifications subject to change without notice.