

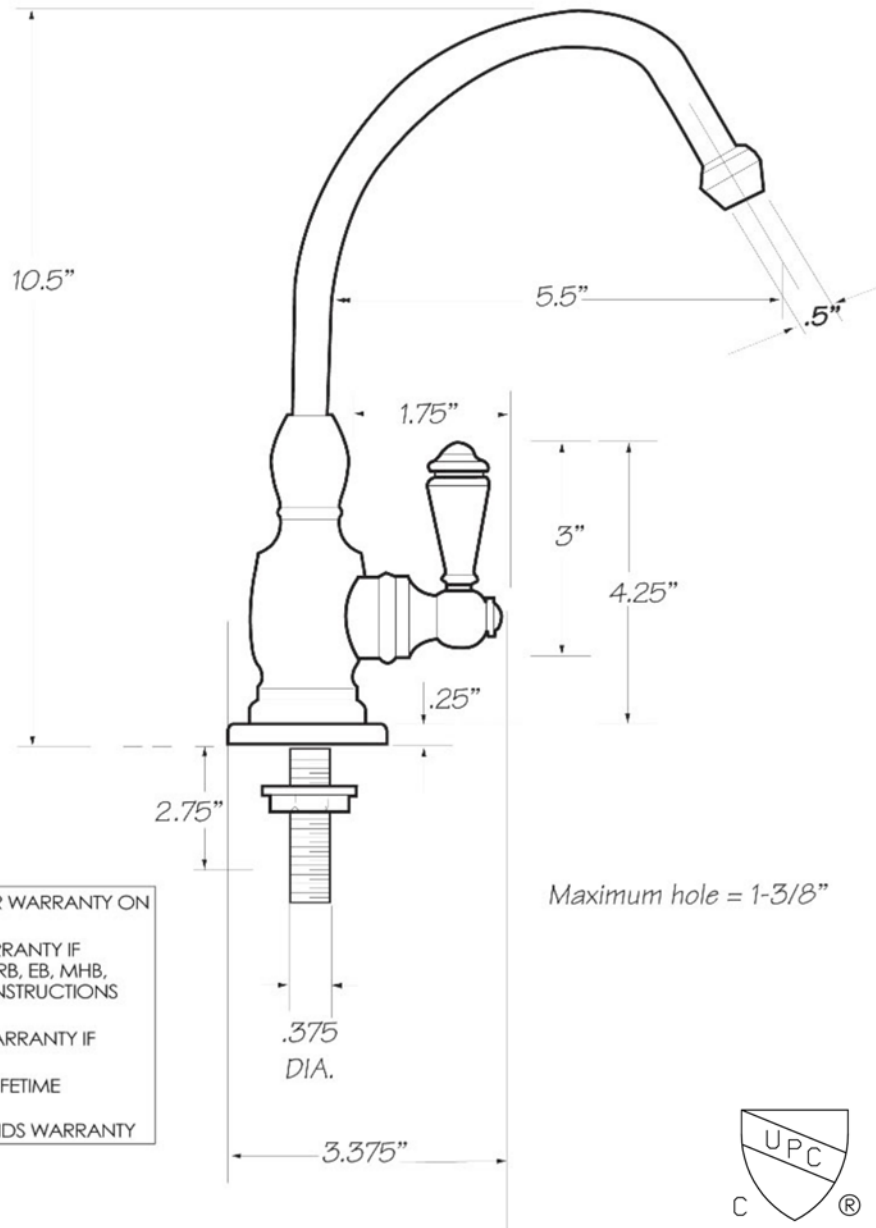


MT1203

**“The Little Gourmet®”
Cold Only Water Dispenser
INSTALLATION DIMENSIONS**

This model offers you the following features & benefits:

- All brass body
- For use as a water filtration, bar or Food Prep Faucet
- Traditional styling
- Available in 11 finishes
 - CPB - Polished Chrome
 - PN - Polished Nickel
 - BRN - Brushed Nickel
 - PEW - Pewter
 - PVD - PVD Brass
 - WB - Weathered Brass
 - WCP - Weathered Copper
 - ACP - Antique Copper
 - ORB - Oil Rubbed Bronze
 - PVDBB - PVD Brushed Bronze
 - TB - Tuscan Brass



Warranty

*ALL MOUNTAIN PRODUCTS CARRY A 1 YEAR WARRANTY ON ALL WORKING PARTS.(except disposers)
 *MOST SPECIAL FINISHES HAVE A 1 YEAR WARRANTY IF INSTRUCTIONS ARE FOLLOWED PROPERLY. ORB, EB, MHB, WCP, AND TB HAVE A 90 DAY WARRANTY IF INSTRUCTIONS ARE FOLLOWED PROPERLY.
 *ALL PVD FINISHES COME WITH A LIFETIME WARRANTY IF INSTRUCTIONS ARE FOLLOWED PROPERLY
 *ALL XENYO COLORED PRODUCTS HAVE A LIFETIME WARRANTY
 *USE OF PLUMBERS PUTTY ON PRODUCTS VOIDS WARRANTY

Specifications subject to change without notice.

