

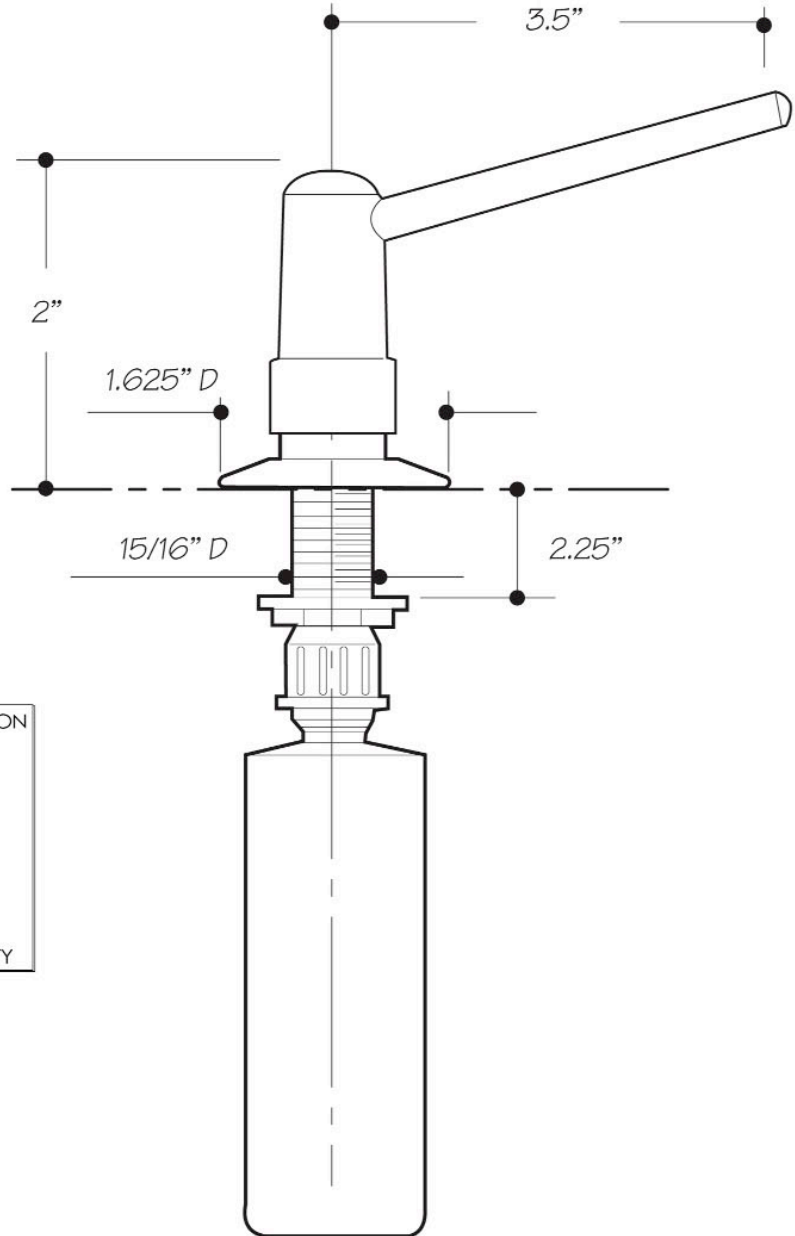
INSTALLATION DIMENSIONS

This model offers you the following features & benefits:

- Teflon® Lined Spout
- 16 oz reservoir for liquid
- Easy above counter top fill
- Contemporary styling
- Available in 3 finishes
 - CPB - Polished Chrome
 - BRN - Brushed Nickel
 - PVD - Polished Brass

Warranty

- *ALL MOUNTAIN PRODUCTS CARRY A 1 YEAR WARRANTY ON ALL WORKING PARTS.(except disposers)
- *MOST SPECIAL FINISHES HAVE A 1 YEAR WARRANTY IF INSTRUCTIONS ARE FOLLOWED PROPERLY. ORB, EB, MHB, WCP, AND TB HAVE A 90 DAY WARRANTY IF INSTRUCTIONS ARE FOLLOWED PROPERLY.
- *ALL PVD FINISHES COME WITH A LIFETIME WARRANTY IF INSTRUCTIONS ARE FOLLOWED PROPERLY
- *ALL XENOY COLORED PRODUCTS HAVE A LIFETIME WARRANTY
- *USE OF PLUMBERS PUTTY ON PRODUCTS VOIDS WARRANTY



Manimum hole = 1-1/8"
Maximum hole = 1-3/8"

Specifications subject to change without notice.