

INSTALLATION DIMENSIONS

This model offers you the following features & benefits:

- 19-Hole 1-1/4" lavatory drain without overflow, with 2" spacer disk.
- 2" maximum sink thickness
- Available in over 20 finishes
- Can be used with MT1000 decorative bottle trap
- ASME A1121.18.2 and CSA B125-1 certifid
- Heavy completely plated brass

Warranty

*ALL MOUNTAIN PRODUCTS CARRY A 1 YEAR WARRANTY ON ALL WORKING PARTS.(except disposers)

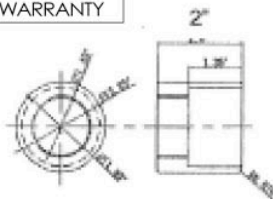
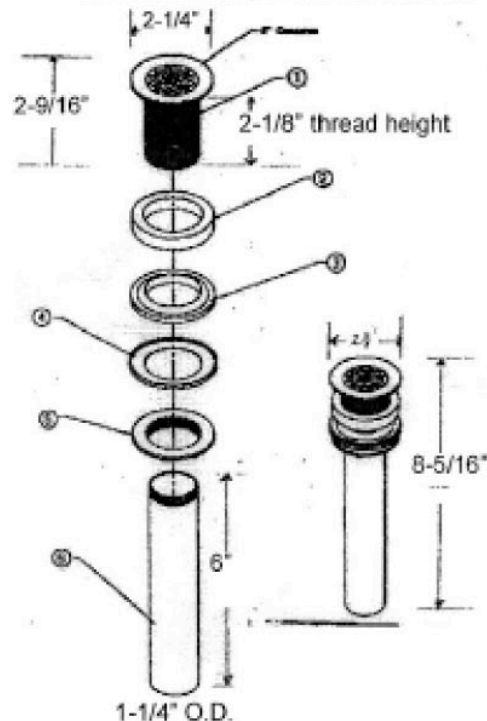
*MOST SPECIAL FINISHES HAVE A 1 YEAR WARRANTY IF INSTRUCTIONS ARE FOLLOWED PROPERLY. ORB, EB, MHB, WCP, AND TB HAVE A 90 DAY WARRANTY IF INSTRUCTIONS ARE FOLLOWED PROPERLY.

*ALL PVD FINISHES COME WITH A LIFETIME WARRANTY IF INSTRUCTIONS ARE FOLLOWED PROPERLY

*ALL XENYO COLORED PRODUCTS HAVE A LIFETIME WARRANTY

*USE OF PLUMBERS PUTTY ON PRODUCTS VOIDS WARRANTY

①	4000-02	FAIRY SEAT	BRASS	C.P.	1
②	4000-03	FOLLY WARDEN	STL	WHITE	1
③	4000-04	CARNEY	MURRIN	BLACK	1
④	4000-05	FAYREN	ST-1	C.P.	1
⑤	4000-06	MOY	BRASS	C.P.	1
⑥	4000-07	FAYRE TUB 6"	BRASS	C.P.	1



Specifications subject to change without notice.

© Mountain Plumbing Products

www.mountainplumbing.com

• Call Toll-Free 1.888.222.9140

Form MPP MT745 2006