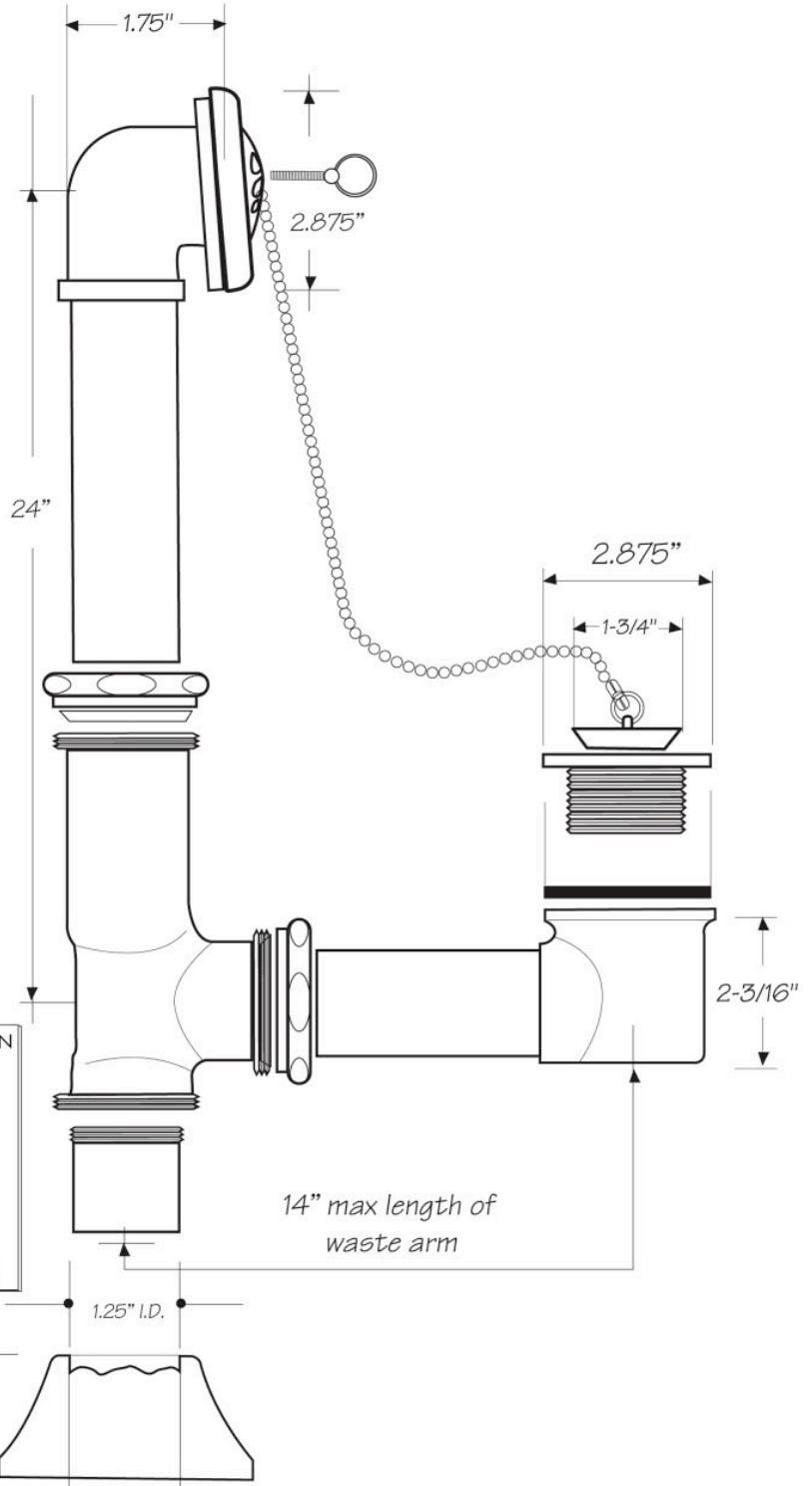


### INSTALLATION DIMENSIONS

**This model offers you the following features & benefits:**

- Brass Plug & Chain
- All plated and polished 17-gauge solid brass body for exposed applications
- Brass Trim Kit
- Available in 8 finishes
  - CPB - Polished Chrome
  - PN - Polished Nickel
  - BRN - Brushed Nickel
  - PVD - Polished Brass
  - ACP - Antique Copper
  - ORB - Oil Rubbed Bronze
  - TB - Tuscan Brass
  - EB - English Bronze



#### Warranty

- \*ALL MOUNTAIN PRODUCTS CARRY A 1 YEAR WARRANTY ON ALL WORKING PARTS.(except disposers)
- \*MOST SPECIAL FINISHES HAVE A 1 YEAR WARRANTY IF INSTRUCTIONS ARE FOLLOWED PROPERLY. ORB, EB, MHB, WCP, AND TB HAVE A 90 DAY WARRANTY IF INSTRUCTIONS ARE FOLLOWED PROPERLY.
- \*ALL PVD FINISHES COME WITH A LIFETIME WARRANTY IF INSTRUCTIONS ARE FOLLOWED PROPERLY
- \*ALL XENYOY COLORED PRODUCTS HAVE A LIFETIME WARRANTY
- \*USE OF PLUMBERS PUTTY ON PRODUCTS VOIDS WARRANTY

Specifications subject to change without notice.