

STEALTHTRAP

Installation Instructions



Install with Proper Orientation for Maximum Space Saving!

Single Bowl Sink



Double Bowl Sink



For more product information and additional installation pictures, please visit:



mountainplumbing.com/stealth-trap-installation

Mailing Address:
Mountain Plumbing Products
PO Box 630008
Irving, TX 75063

Physical Address:
2611 Regent Boulevard
Suite 100
DFW Airport, TX 75261

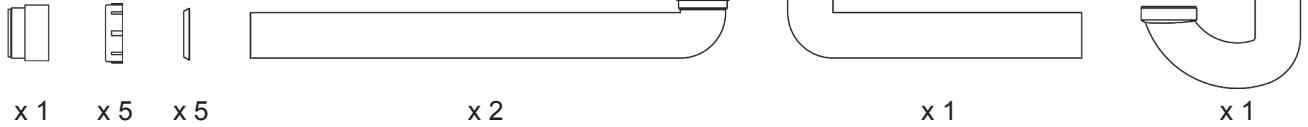
Phone: 1 (972) 456-3273
Fax: 1 (972) 456-2719

info@mountainplumbing.com
rga@mountainplumbing.com
orders@mountainplumbing.com

www.mountainplumbing.com

A McAlpine Company

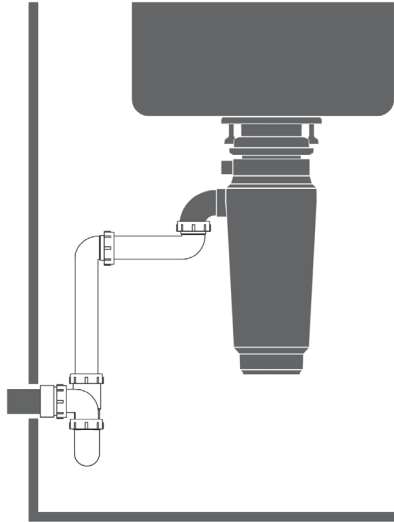
Mountain
Plumbing Products



MAXIMUM SPACE SAVING INSTALLATION - SINGLE BOWL SINK

SIDE VIEW

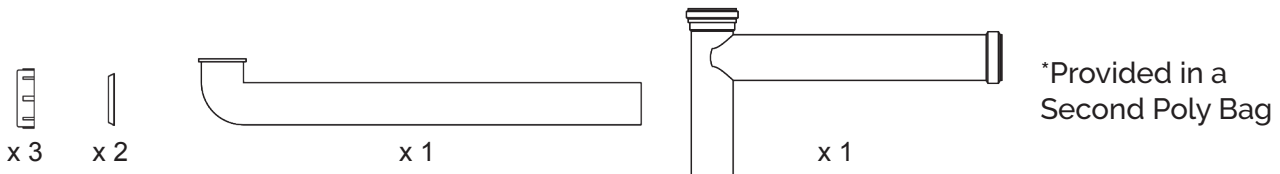
DISCLAIMER:
If the STEALTHTRAP does not meet local code, do not install.



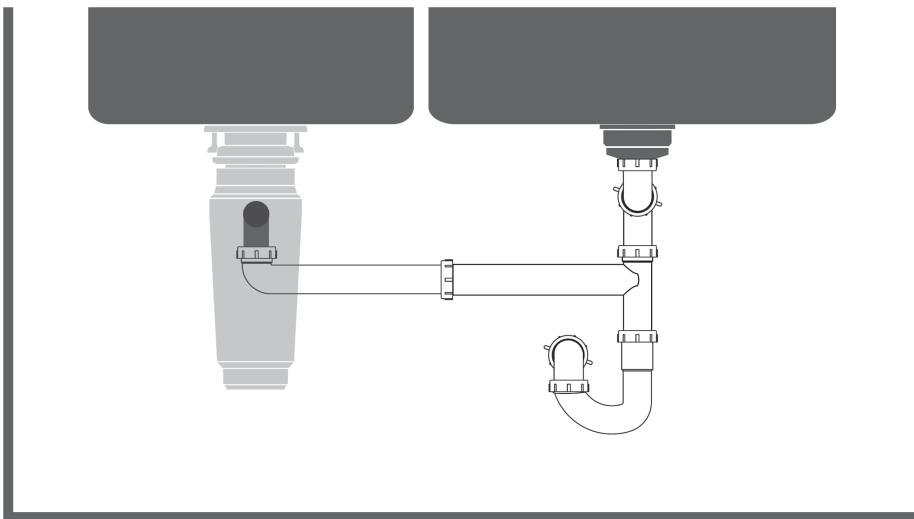
- Disposer Discharge Tube Pointing at Back of Cabinet
- Disposer Label Facing Front of Cabinet
- P-Trap and 90° Elbow Connected to Wall Pipe

MAXIMUM SPACE SAVING INSTALLATION - DOUBLE BOWL SINK

Fittings Needed in Addition to the Above for Double Bowl Kitchen Sink Installation



FRONT VIEW



- Disposer Discharge Tube Pointing at Back of Cabinet
- Disposer Label Facing Front of Cabinet
- P-Trap and 90° Elbow Connected to Wall Pipe
- T-Connection Attached to P-Trap at Back of Cabinet