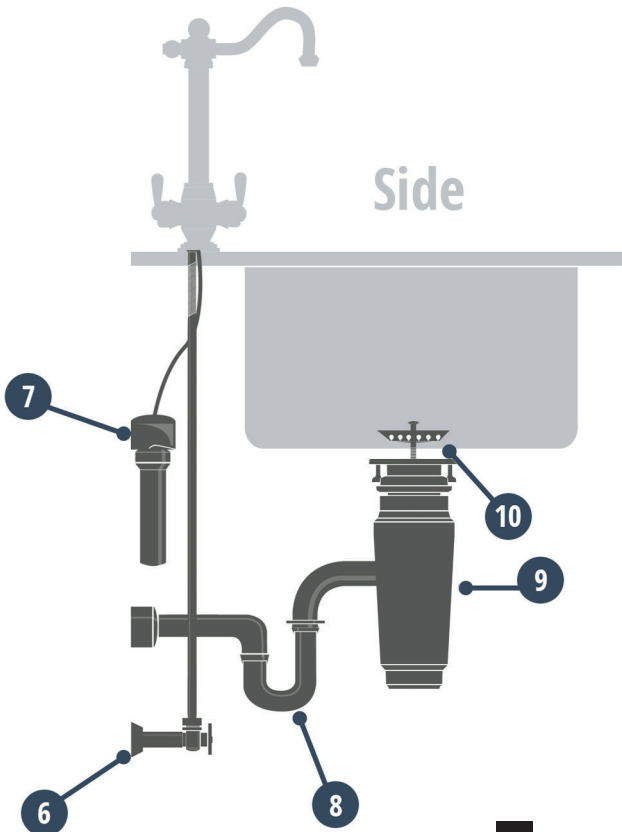
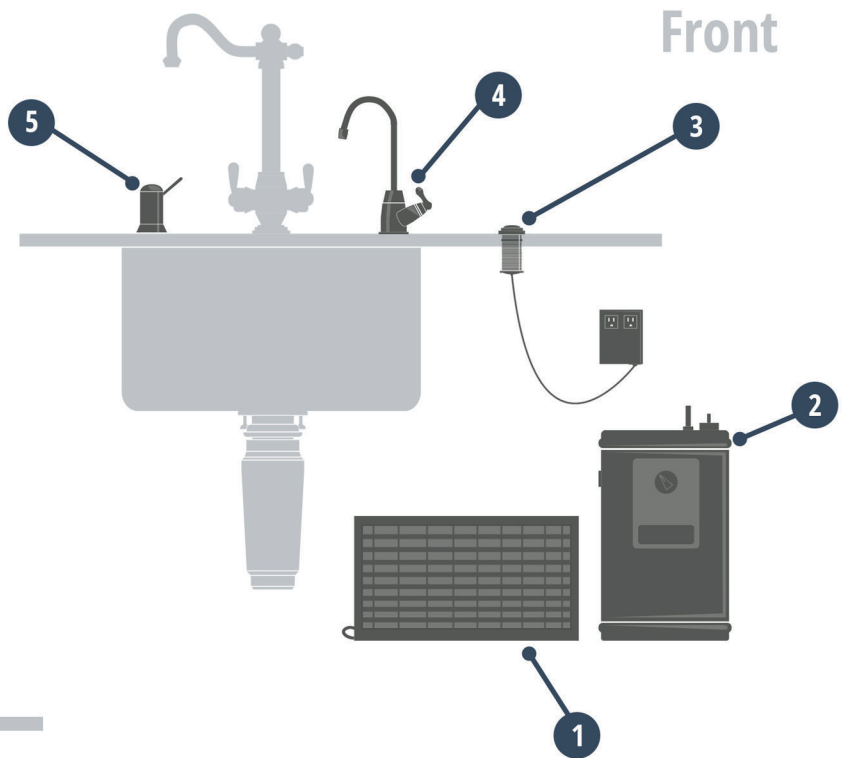


Project Location: \_\_\_\_\_  
 Date: \_\_\_\_\_  
 Customer Name: \_\_\_\_\_  
 Sales Order Number: \_\_\_\_\_

1. Mountain Chill® Water Chiller \_\_\_\_\_
2. Little Gourmet® Hot Water Dispenser \_\_\_\_\_
3. Air Switch \_\_\_\_\_
4. Accessory Faucet (Hot, Hot & Cold, Point-of-Use) \_\_\_\_\_
5. Soap/Lotion Dispenser \_\_\_\_\_



6. Supply Kit\* \_\_\_\_\_
7. Mountain Pure® Point-of-Use Water Filtration \_\_\_\_\_
8. Space Saving Stealthtrap\* \_\_\_\_\_
9. Perfect Grind® Waste Disposer \_\_\_\_\_
10. Bar Sink Strainer \_\_\_\_\_

■ Mandatory    ■ Not Mandatory    \*Available as a Complete Kit