

# BDWOF-ST-NS

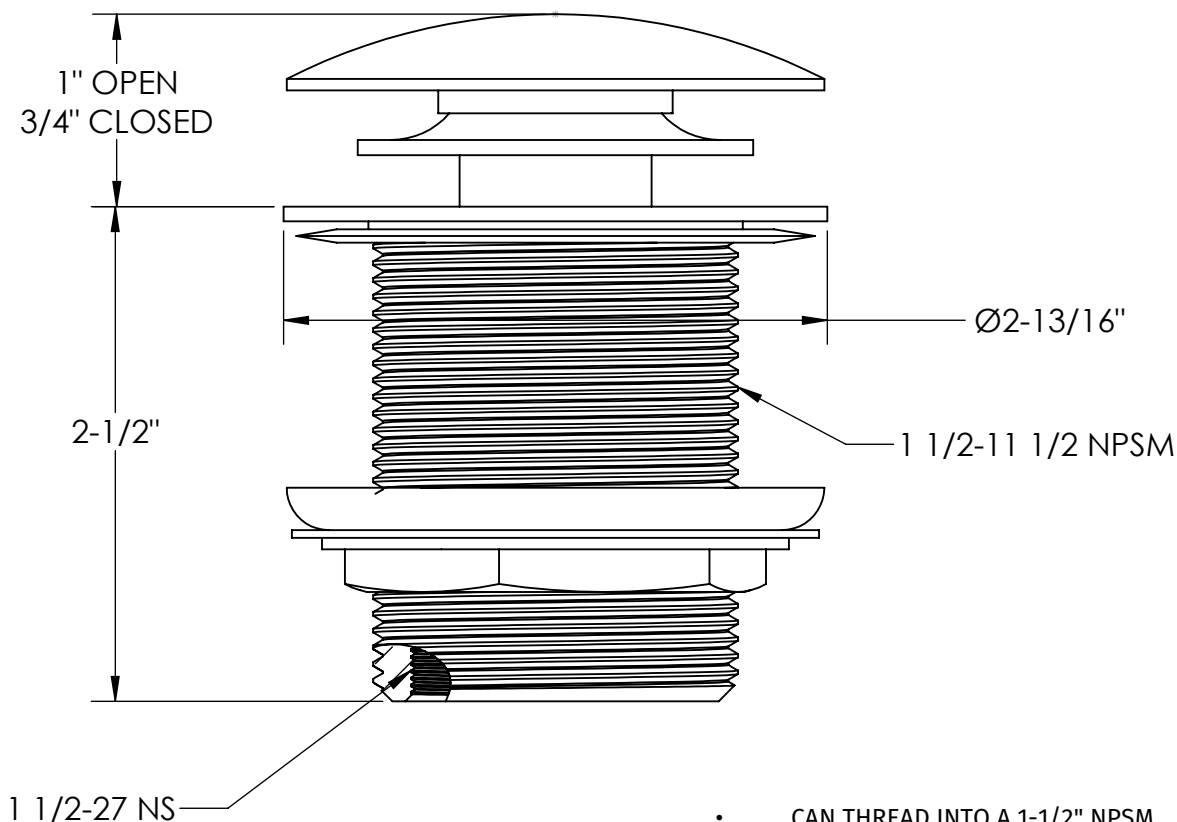
**EZ-CLICK™ BATH TUB DRAIN  
WITHOUT OVERFLOW  
(DRAIN TUBE NOT INCLUDED)**



A McAlpine Company

**Mountain**  
Plumbing Products

## SPECIFICATION SHEET



- CAN THREAD INTO A 1-1/2" NPSM STANDARD DRAIN SHOW
- INTERNAL FEMALE THREADING ALLOWS FOR CONNECTING A 1-1/2" BRASS TUBE (NOT INCLUDED)
- Ø2" DRAIN OPENING REQUIRED
- LIFETIME WARRANTY ON CLICKING MECHANISM

### **WARRANTY**

FOR WARRANTY INFO PLEASE VISIT [WWW.MOUNTAINPLUMBING.COM/PAGE/RESOURCES/WARRANTY](http://WWW.MOUNTAINPLUMBING.COM/PAGE/RESOURCES/WARRANTY)

### **FINISH CARE & MAINTENANCE**

NEVER USE ANY HARSH ALKALI, ACID BASED DETERGENTS OR CLEANERS SUCH AS SOFT SCRUB®, SCRUBBING BUBBLES® OR COMET® TO CLEAN. DO NOT USE BRILLO® OR SCOTCH BRITE® PADS. THESE WILL ALL HARM THE FINISH. TO CLEAN, USE ONLY A DAMP SOFT CLOTH AND WIPE GENTLY. STANDARD WINDEX® CAN ALSO BE USED SPARINGLY. IT IS NOT NECESSARY TO WIPE HARD TO REMOVE SPOTS. TO MAINTAIN THE FINISH, WIPE WITH A SOFT DRY CLOTH AFTER USE. AN OCCASIONAL COAT OF PURE CARNAUBA WAX WITHOUT CLEANERS WILL HELP PROTECT THE FINISH.

SPECIFICATIONS SUBJECT TO CHANGE WITHOUT NOTICE

[www.mountainplumbing.com](http://www.mountainplumbing.com) 888-222-9140 fax 972-456-2719

form BDWOF-ST-NS spec sht