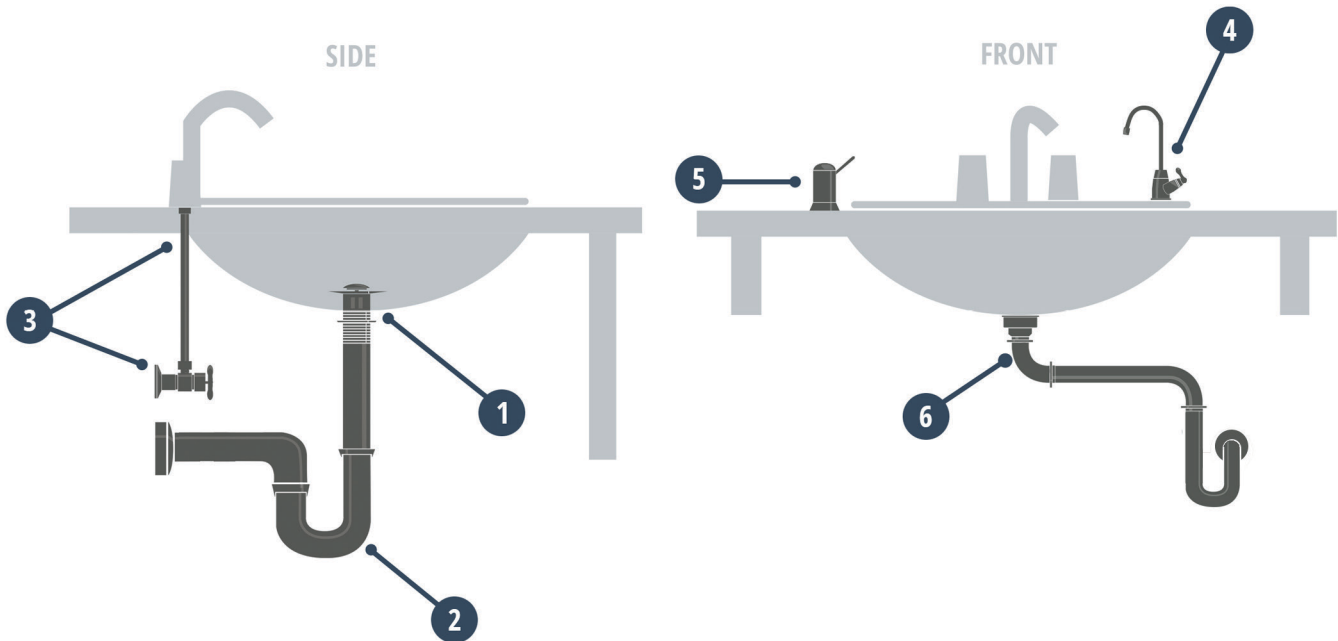


Project Location: \_\_\_\_\_  
 Date: \_\_\_\_\_  
 Customer Name: \_\_\_\_\_  
 Sales Order Number: \_\_\_\_\_

1. Lavatory Drain (with or without Overflow)\* \_\_\_\_\_
2. Lavatory Trap\* \_\_\_\_\_
3. Lavatory Supply Kit\* \_\_\_\_\_
4. Point-of-Use Faucet \_\_\_\_\_
5. Soap/Lotion Dispenser \_\_\_\_\_
6. Lavatory Space Saving Trap \_\_\_\_\_



■ Mandatory    ■ Not Mandatory    \*Available as a Complete Kit