

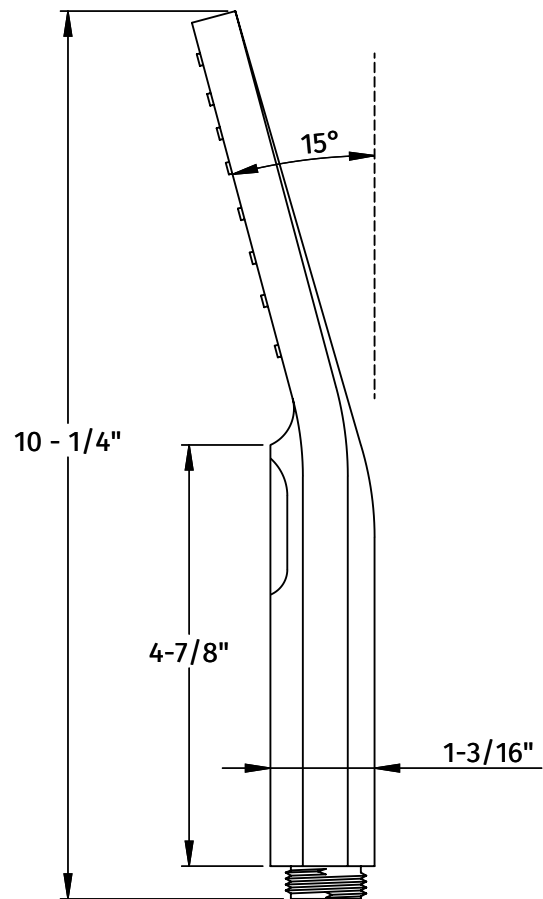
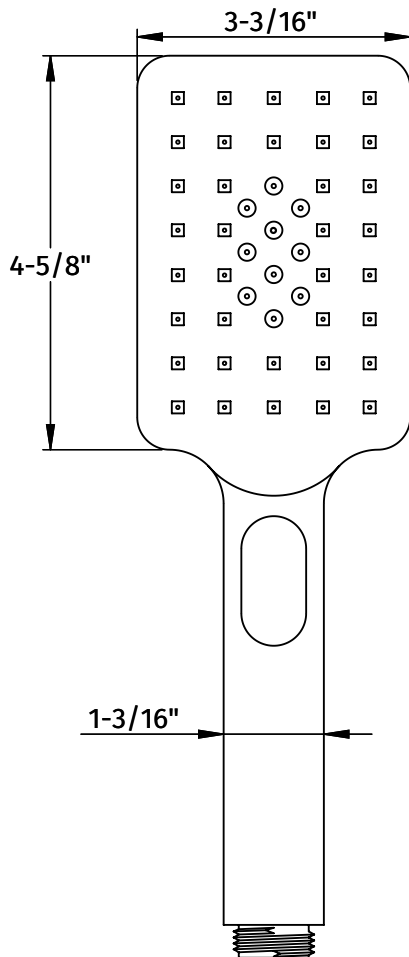
MT11HSMF

RECTANGULAR MULTI-FUNCTION HAND SHOWER

SPECIFICATION SHEET



- THREE FUNCTIONS: SPRAY, MIST, OR BOTH
- THUMB CLICKER BUTTON TOGGLES BETWEEN SPRAY MODES
- ERGONOMIC 15° ANGLED DESIGN
- INTERIOR LINING PREVENTS SCALDING
- 1.6 OR 2.5 GPM FLOW RATE
- ABS PLASTIC CASING W/ THERMOPLASTIC RUBBER NOZZLES
- 1/2" NPSM INLET
- FULLY PLATED MATCHING SPRAY FACE



WARRANTY

FOR WARRANTY INFO PLEASE VISIT WWW.MOUNTAINPLUMBING.COM/PAGE/RESOURCES/WARRANTY

FINISH CARE & MAINTENANCE

NEVER USE ANY HARSH ALKALI, ACID BASED DETERGENTS OR CLEANERS SUCH AS SOFT SCRUB®, SCRUBBING BUBBLES® OR COMET® TO CLEAN. DO NOT USE BRILLO® OR SCOTCH BRITE® PADS. THESE WILL ALL HARM THE FINISH. TO CLEAN, USE ONLY A DAMP SOFT CLOTH AND WIPE GENTLY. STANDARD WINDEX® CAN ALSO BE USED SPARINGLY. IT IS NOT NECESSARY TO WIPE HARD TO REMOVE SPOTS. TO MAINTAIN THE FINISH, WIPE WITH A SOFT DRY CLOTH AFTER USE. AN OCCASIONAL COAT OF PURE CARNAUBA WAX WITHOUT CLEANERS WILL HELP PROTECT THE FINISH.

SPECIFICATIONS SUBJECT TO CHANGE WITHOUT NOTICE